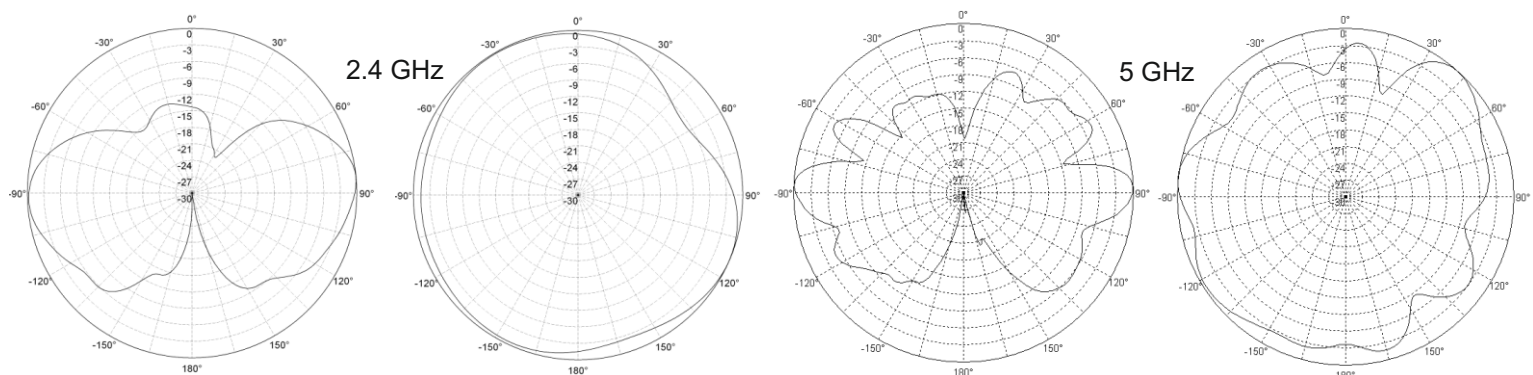


## 3 Lead Dual Band 6 dBi Outdoor Omnidirectional Antenna With RPTNC Connectors

6 dBi outdoor multiple-input and multiple-output (MIMO) omnidirectional antenna is designed to operate enterprise class 802.11n MIMO access points. With dual-band leads, each cable supports both 2.4 and 5 GHz, making it an ideal and aesthetically pleasing antenna to support demanding outdoor applications in next generation IEEE 802.11n wireless communication systems. The rugged enclosure makes this antenna perfectly suited for use in a warehouse or manufacturing environment where it must withstand exposure to moisture and dust. Includes an L-Bracket for mast and or wall mounting. Industrial beam clamps are available as an additional option. This antenna is also RoHS compliant. Every antenna is covered by the Company's two-year warranty program.

### Specifications

Part Number	TCANT432
Frequency Range	2400~2500 / 5150~5850 MHz
Bandwidth	100 / 700 MHz
Gain	6 dBi
Vertical Beamwidth	35° / 25°
Horizontal Beamwidth	360°
VSWR	Typical < 1.5 - 1.8
Normal Impedance	50 Ohms
Polarization	Vertical
Isolation	< - 15dB
Max Power	10W
Lightning Protection	Not DC Grounded
Connector	RPTNC Plug with 36" / 914mm Cable
Dimensions	5.9" x 7" / 150mm x 178mm
Weight	2.64lbs / 1.197KG
Mast Mount Diameter	1.37" x 1.97" / 34mm x 50mm
Operating Temperature Range	-40°F to +158°F / -40°C to 70°C
Wind Load	134 mph



## 3 Lead Dual Band 6 dBi Outdoor Omnidirectional Antenna With RPTNC Connectors

### Mounting Information

